

### BURST INDICATION FOR USE IN SANITARY TRI CLAMP FITTINGS

Over-pressure or discharge indication for bursting disk installations. The RDI-S Disk Burst Indicator is a simple and effective means of indicating when the process media ruptures a disk.

#### Operation

The RDI-S installs onto the vent side of a sanitary bursting disk assembly. Upon rupture of the disk, the RDI-S alarm circuit is opened by the flowing media.

- One-time use, low cost design compatible with metal or graphite bursting disks
- Fits easily into existing piping systems
- Installs on the outlet side of bursting disk or bursting disk holder, isolating the RDI-S from the process media

#### Features

- One time use, cost effective, stand alone burst indication
- 25mm (1") to 100mm (4") diameter
- Early indication of burst minimizes product waste and environmental damage from release of harmful process fluids
- Supplied ready for installation
- Fits standard Tri Clover and NA couplings used with sanitary ferrules to BS4825<sup>1</sup>
- Burst is detected by breakage of silver conductor element printed to the chemically resistant polyamide detector membrane. Signal may be used to activate a variety of alarm or control equipment
- Signals instantly when the bursting disk ruptures
- RDI-S is considered a simple device, therefore ATEX approval is not required. Installation must be in accordance with ANSI/ISA RP12.6 and the NEC (ANSI/NFPA 70)

#### Materials

**Membrane** – Kapton®

**FDA Certified Gaskets** – Viton or EPDM\*

**Conductive materials** – Silver

**Cable** – 2m / 6'6", 24 AWG, 2 conductor PTFE sheathed signal wire

**Note:**

\* A full copy of the Gaskets Certificate of Compliance can be accessed [here](#).

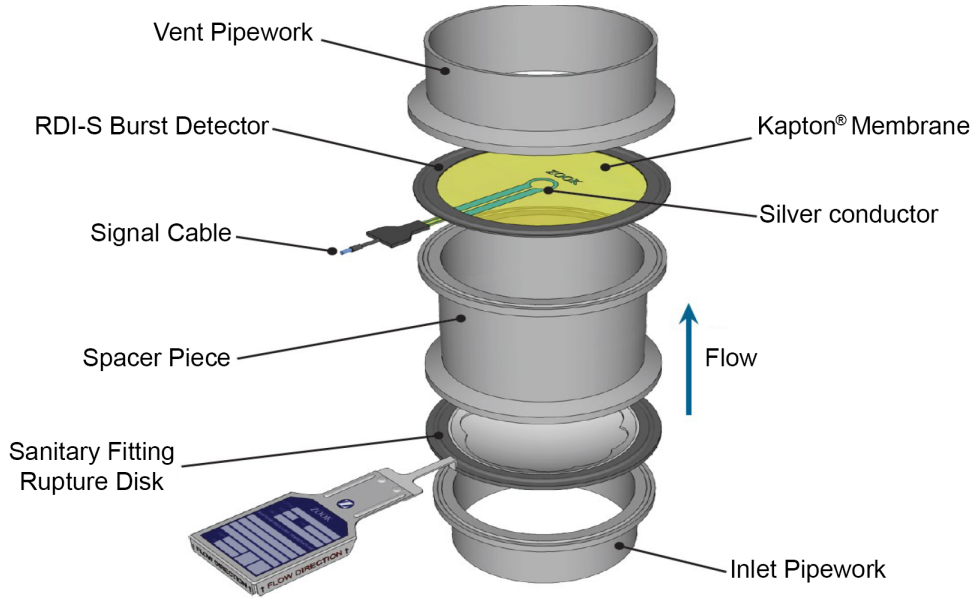
\* Consult ZOOK for other materials

<sup>1</sup> Consult ZOOK for ferrules to other standards (e.g. DIN32676, ISO 2582/ISO1127)



# RDI-S Series Specifications

## Typical Installation:



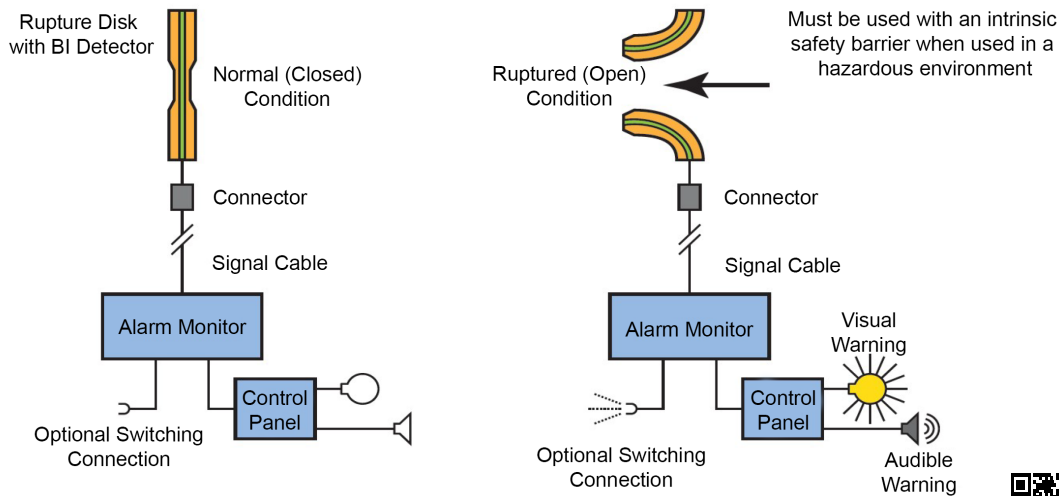
## Electrical Properties:

Max. Pre-Burst Resistance	20 Ω
Maximum Voltage	24 V AC/DC
Maximum Current	150 mA
Temperature Range	-40°F to 400°F (-40°C to 204°C)

## Minimum Burst Pressure required to activate RDI-S:

Nominal Size	Barg (Psig)
25 mm (1")	0.62 barg (9 psig)
40 mm (1.5")	0.62 barg (9 psig)
50 mm (2")	0.55 barg (8 psig)
80 mm (3")	0.41 barg (6 psig)
100 mm (4")	0.28 barg (4 psig)

## Operating Schematic:



RDI-S\_112022

[zookdisk.com](http://zookdisk.com)



**SERVING AMERICA, CENTRAL & SOUTH AMERICA**  
 16809 Park Circle Drive  
 Chagrin Falls, Ohio 44022  
 United States  
 Toll Free: +1 800 543 1043  
 Phone: +1 440 543 1010  
 E-mail: [sales@zookdisk.com](mailto:sales@zookdisk.com)

**SERVING EUROPE, MIDDLE EAST & AFRICA**  
 Navigation House, Bridge St.  
 Killamarsh, Sheffield, S21 1AL  
 United Kingdom  
 Phone: +44 (0) 1909 560999  
 E-mail: [sales.europe@zookdisk.com](mailto:sales.europe@zookdisk.com)

**SERVING CANADA**  
 4400 South Service Road  
 Burlington, Ontario, L7L 5R8  
 Canada  
 Toll Free: +1 800 370 6057  
 Phone: +1 905 681 2885  
 E-mail: [sales.canada@zookdisk.com](mailto:sales.canada@zookdisk.com)

**SERVING ASIA PACIFIC**  
 Menara LGB TTDI  
 Unit 6-3A, Level 6, Menara LGB,  
 No. 1, Jalan Wan Kadir,  
 Taman Tun Dr. Ismail,  
 60000 Kuala Lumpur, Malaysia  
 Phone: +603 2706 0098  
 E-mail: [sales.asia@zookdisk.com](mailto:sales.asia@zookdisk.com)

Safety through knowledge and performance.