

SERIES 38M

3-WAY BALL VALVE

THREADED, RB

Sizes 1/4" - 2"

Reduced Bore
L-Port or T-Port

1000 WOG

Available in SS316 body ONLY

Threaded Ends ONLY

4 Seats Design

Super Live Load Loaded Packing System

ISO 5211 Direct Mounting Pad

Blowout-Proof Stem

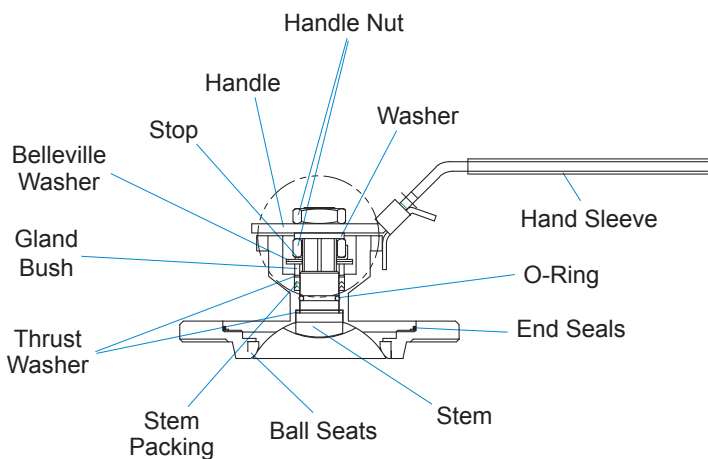
Dual Anti-Static Device
(Ball-Stem-Body)

Standard Seat - TFM1600
(max. 180 °C)

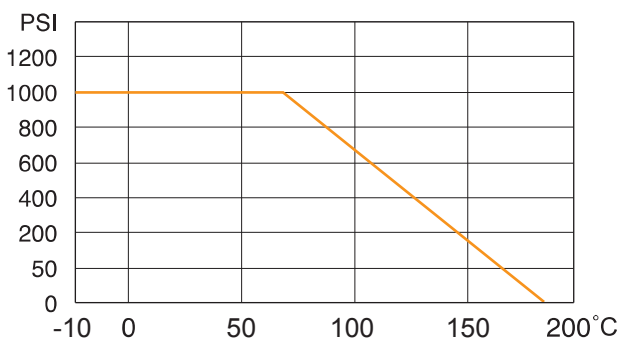
Lockable Handle

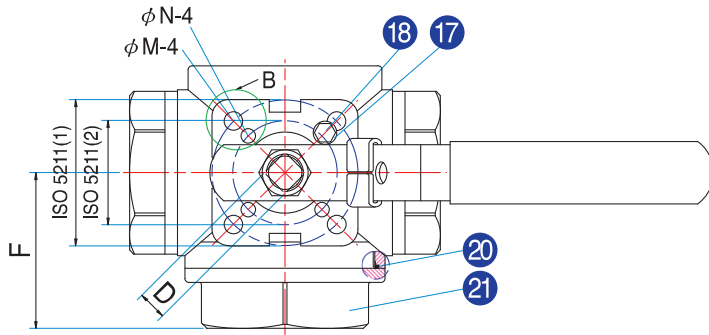


ValveWorks Series 38M the high quality investment casting gives this 3-way valve durability. Available for mixing and diverting services (L or T port), it provides for operation where two valves were previously necessary. The ISO 5211 actuator mounting pad allows for easy automation; pneumatic or electric. TFM1600 seats are standard but others are available upon request.

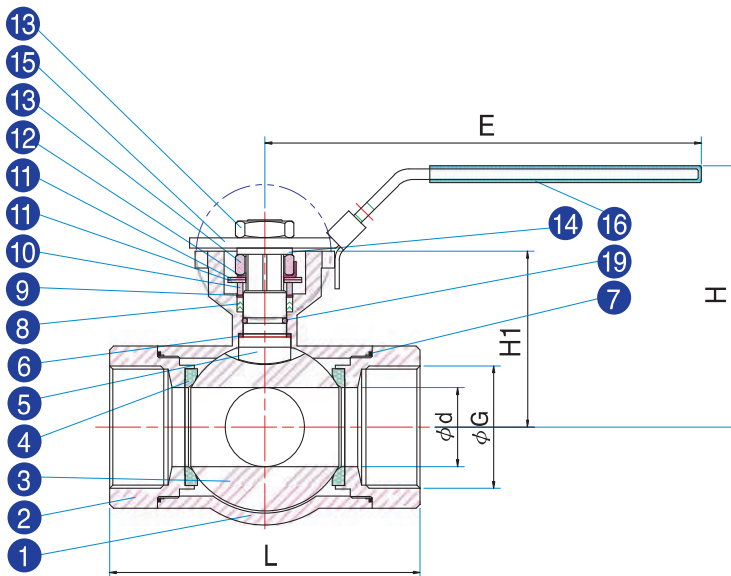


• Pressure/Temperature Ratings

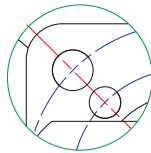




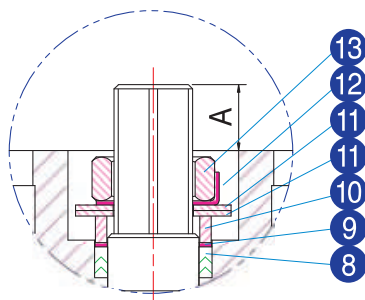
PORT TYPE	1	2	3	4
T				
L				



1 1/2" ~ 2"



1/4" ~ 1 1/4"



• MATERIALS LIST

NO.	PART NAME	MATERIAL
1	BODY	ASTM
2	CAP	ASTM
3	BALL	ASTM
4	BALL SEATS	TFM1600
5	STEM	SS316
6	THRUST WASHER	PTFE
7	END SEALS	PTFE
8	STEM PACKING	PTFE
9	THRUST WASHER	TFM1600
10	GLAND BUSH	SS304
11	BELLEVILLE WASHER	SUS304-CSP
12	STOP	SS304
13	HANDLE NUT	SS304
14	WASHER	SS304
15	HANDLE	SS304
16	HAND SLEEVE	VINLY
17	STOPPER	SS304
18	SCREN	SS304
19	O-RING	VITON
20	END SEALS	PTFE
21	CAP	ASTM

• DIMENSIONS (mm)

SIZE	d	L	H	D	F	A	N	M	E	H1	ISO 5211	CV	Weight (kg)
1/4"	11	75.7	64.9	9	38.3	8.2	6	6	132	36.8	F03 F04	3.5	0.93
3/8"	11	75.7	64.9	9	38.3	8.2	6	6	132	36.8	F03 F04	4	0.96
1/2"	12.5	75.7	64.9	9	38.3	8.2	6	6	132	36.8	F03 F04	5	1.02
3/4"	16	86.6	71.6	9	44.7	9.0	6	6	132	44.1	F03 F04	8	1.17
1"	20	103	94.3	11	50.8	11.5	6	7	180	55.1	F04 F05	20	1.77
1 1/4"	25	118.2	100	11	57.7	11.5	6	7	180	60.7	F04 F05	30	2.43
1 1/2"	32	125.8	115.7	14	62.6	15.1	7	9	225	75.2	F05 F07	40	4.05
2"	38	149	124.9	14	74.3	15.1	7	9	225	84.4	F05 F07	60	5.85

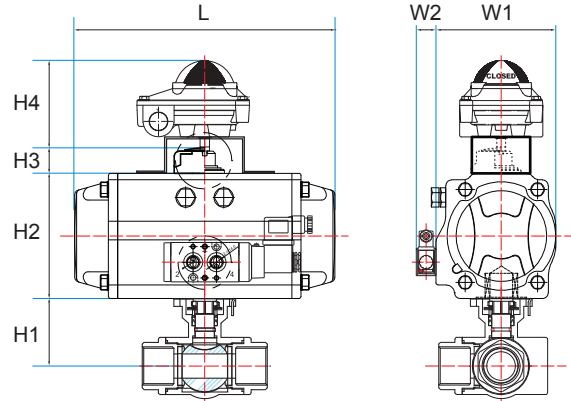
Valve Automation with HKC



• Pneumatic Actuator - Double Acting

DN (mm)	Size (inch)	Torques	Actuator	H1	H2	H3	H4	W1	W2	L	Weight (kg)
8	1/4"	4	HP-35	36.80	49.00	20.00	90.00	54.00	29.50	126.00	2.550
10	3/8"	4	HP-35	36.80	49.00	20.00	90.00	54.00	29.50	126.00	2.580
15	1/2"	4	HP-35	36.80	49.00	20.00	90.00	54.00	29.50	126.00	2.640
20	3/4"	6	HP-50	44.10	73.00	20.00	90.00	72.00	29.50	144.00	3.410
25	1"	11	HP-50	55.10	73.00	20.00	90.00	72.00	29.50	144.00	4.010
32	1 1/4"	21	HP-63	30.70	73.00	20.00	90.00	85.00	29.50	163.00	5.190
40	1 1/2"	27	HP-66	75.20	87.00	20.00	90.00	85.00	29.50	202.00	7.530
50	2"	47	HP-88	84.40	116.00	20.00	90.00	108.00	29.50	247.00	11.230

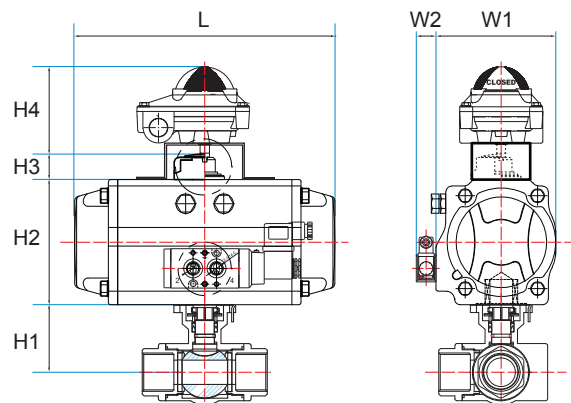
This selection of the actuators are based on below condition:-
 - Air Supply Pressure : 5.5 bar
 - Operating Pressure : 10 bar
 - Safety Factor : 30%



• Pneumatic Actuator - Single Acting

DN (mm)	Size (inch)	Torques	Actuator	H1	H2	H3	H4	W1	W2	L	Weight (kg)
8	1/4"	4	HP-50S (S11)	36.80	73.00	20.00	90.00	72.00	29.50	144.00	3.269
10	3/8"	4	HP-50S (S11)	36.80	73.00	20.00	90.00	72.00	29.50	144.00	3.299
15	1/2"	4	HP-50S (S11)	36.80	73.00	20.00	90.00	72.00	29.50	144.00	3.359
20	3/4"	6	HP-63S (S11)	44.10	87.00	20.00	90.00	85.00	29.50	163.00	4.117
25	1"	11	HP-66S (S11)	55.10	87.00	20.00	90.00	85.00	29.50	202.00	5.481
32	1 1/4"	21	HP-88S (S11)	30.70	116.00	20.00	90.00	108.00	29.50	247.00	8.426
40	1 1/2"	27	HP-88S (S11)	75.20	116.00	20.00	90.00	108.00	29.50	247.00	10.046
50	2"	47	HP-115S (S11)	84.40	146.00	20.00	90.00	141.00	29.50	316.00	17.261

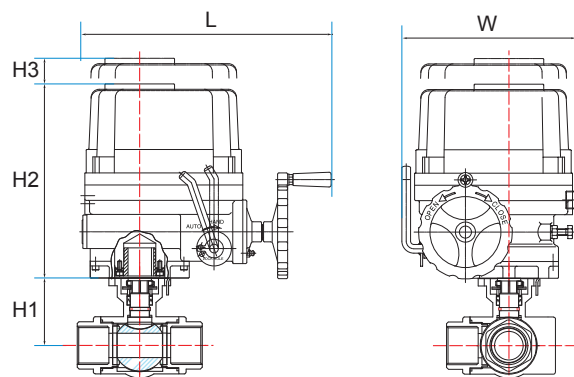
This selection of the actuators are based on below condition:-
 - Air Supply Pressure : 5.5 bar
 - Operating Pressure : 10 bar
 - Safety Factor : 30%



• Electric Actuator

DN (mm)	Size (inch)	Torques	Actuator	H1	H2	H3	W	L	Weight (kg)
8	1/4"	4	HQ-004	36.80	124.30		88.60	166.60	3.210
10	3/8"	4	HQ-004	36.80	124.30		88.60	166.60	3.240
15	1/2"	4	HQ-004	36.80	124.30		88.60	166.60	3.300
20	3/4"	6	HQ-004	44.10	124.30		88.60	166.60	3.450
25	1"	11	HQ-004	55.10	124.30		88.60	166.60	4.050
32	1 1/4"	21	HQ-004	30.70	124.30		88.60	166.60	4.710
40	1 1/2"	27	HQ-006	75.20	137.00		105.00	126.00	8.130
50	2"	47	HQ-008	84.40	235.00	120.00	170.00	258.00	14.330

This selection of the actuators are based on below condition:-
 - Operating Pressure : 10 bar
 - Safety Factor : 50%



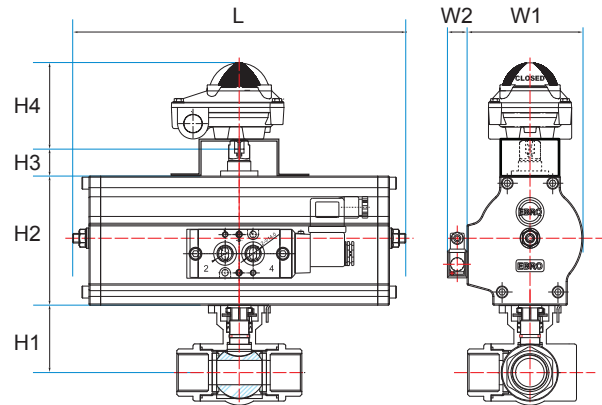
Valve Automation with EBRO Armaturen



• Pneumatic Actuator - Double Acting

DN (mm)	Size (inch)	Torques	Actuator	H1	H2	H3	H4	W1	W2	L	Weight (kg)
8	1/4"	4	EB 4.1-SYD	36.80	66.00	30.00	30.00	90.00	29.50	148.00	3.110
10	3/8"	4	EB 4.1-SYD	36.80	66.00	30.00	30.00	90.00	29.50	148.00	3.140
15	1/2"	4	EB 4.1-SYD	36.80	66.00	30.00	30.00	90.00	29.50	148.00	3.200
20	3/4"	6	EB 4.1-SYD	44.10	66.00	30.00	30.00	90.00	29.50	148.00	3.350
25	1"	11	EB 4.1-SYD	55.10	66.00	30.00	30.00	90.00	29.50	148.00	3.950
32	1 1/4"	21	EB 5.1-SYD	30.70	77.00	30.00	30.00	90.00	29.50	174.00	5.210
40	1 1/2"	27	EB 5.1-SYD	75.20	77.00	30.00	30.00	90.00	29.50	174.00	6.830
50	2"	47	EB 6.1-SYD	84.40	91.00	30.00	30.00	90.00	29.50	224.00	9.930

This selection of the actuators are based on below condition:-
 - Air Supply Pressure : 5.5 bar
 - Operating Pressure : 10 bar
 - Safety Factor : 30%



• Pneumatic Actuator - Single Acting

DN (mm)	Size (inch)	Torques	Actuator	H1	H2	H3	H4	W1	W2	L	Weight (kg)
8	1/4"	4	EB 5.1-SYS (50)	36.80	77.00	30.00	90.00	72.00	29.50	280.00	4.410
10	3/8"	4	EB 5.1-SYS (50)	36.80	77.00	30.00	90.00	72.00	29.50	280.00	4.440
15	1/2"	4	EB 5.1-SYS (50)	36.80	77.00	30.00	90.00	72.00	29.50	280.00	4.500
20	3/4"	6	EB 5.1-SYS (50)	44.10	77.00	30.00	90.00	72.00	29.50	280.00	4.650
25	1"	11	EB 5.1-SYS (50)	55.10	77.00	30.00	90.00	72.00	29.50	280.00	5.250
32	1 1/4"	21	EB 6.1-SYS (50)	30.70	91.00	30.00	90.00	88.00	29.50	351.00	7.810
40	1 1/2"	27	EB 6.1-SYS (50)	75.20	91.00	30.00	90.00	88.00	29.50	351.00	9.430
50	2"	47	EB 8.1-SYS (50)	84.40	108.00	30.00	90.00	99.00	29.50	408.00	13.230

This selection of the actuators are based on below condition:-
 - Air Supply Pressure : 5.5 bar
 - Operating Pressure : 10 bar
 - Safety Factor : 30%

