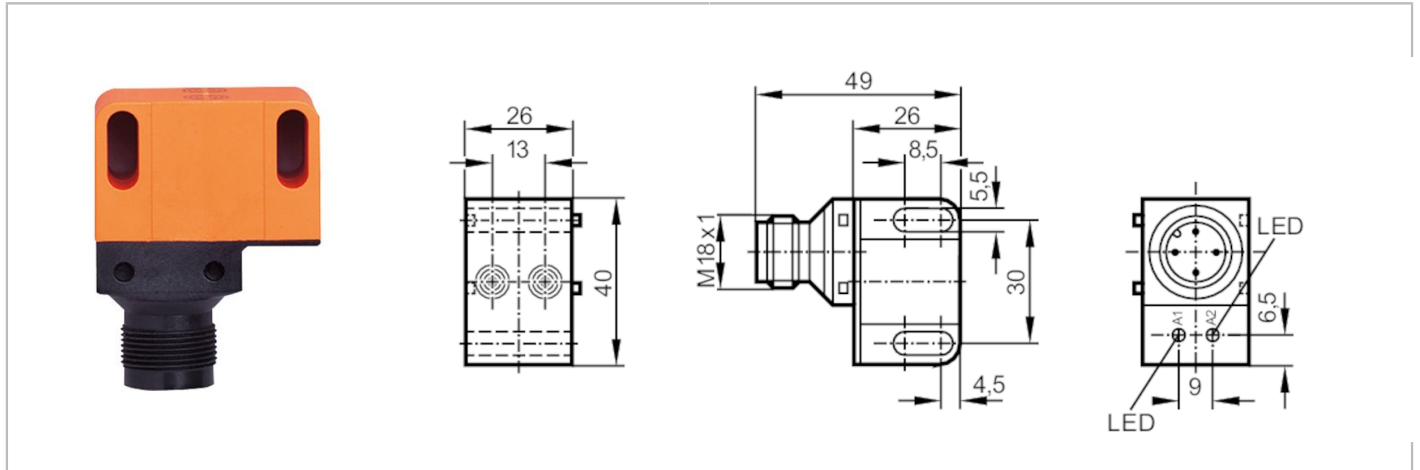


NN5013



Inductive NAMUR dual sensor for valve actuators

IND2004DN/BS-200-K/1D/1G/2G



Product characteristics	
Electrical design	NAMUR
Output function	2 x normally closed
Sensing range [mm]	4
Housing	rectangular
Dimensions [mm]	40 x 26 x 26
Electrical data	
Connection to switching amplifiers	yes
Switching amplifiers	connection to certified intrinsically safe circuits with the max. values: U = 15 V / I = 50 mA / P = 120 mW
Nominal voltage DC [V]	8.2; (1k Ω)
Supply voltage DC [V]	7.5...15
Current consumption [mA]	< 1; (disabled; conductive: > 2,1)
Protection class	III
Outputs	
Electrical design	NAMUR
Output function	2 x normally closed
Switching frequency DC [Hz]	1800
Detection zone	
Sensing range [mm]	4
Real sensing range Sr [mm]	4 \pm 10 %
Accuracy / deviations	
Correction factor	steel: 1 / stainless steel: 0.7 / brass: 0.5 / aluminium: 0.4 / copper: 0.3
Hysteresis [% of Sr]	1...15
Switch point drift [% of Sr]	-10...10
Operating conditions	
Ambient temperature [°C]	-20...80
Protection	IP 67

NN5013



Inductive NAMUR dual sensor for valve actuators

IND2004DN/BS-200-K/1D/1G/2G

Tests / approvals	
Approval	DMT 02 ATEX E028; BVS 04 ATEX E153; IECEx BVS 06.0003
ATEX marking	Ex II 1G Ex ia IIB T6 Ga Ta: -20...70°C
	Ex II 2G Ex ia IIC T6 Gb Ta: -20...70°C
	Ex II 1D Ex ia IIIC T 90°C Da Ta: -20...70°C
	Ex II 1G Ex ia IIB T5 Ga Ta: -20...80°C
	Ex II 2G Ex ia IIC T5 Gb Ta: -20...80°C
	Ex II 1D Ex ia IIIC T 100°C Da Ta: -20...80°C
EMC	EN 60947-5-6
Shock/vibration resistance	30 g (11 ms) / 10-55 Hz (1 mm)
MTTF [years]	1253

Safety classification	
Max. internal capacitance [nF]	140; (per intrinsically safe circuit)
Max. internal inductance [μ H]	130; (per intrinsically safe circuit)

Mechanical data	
Weight [g]	81.25
Housing	rectangular
Mounting	non-flush mountable
Dimensions [mm]	40 x 26 x 26
Materials	housing: PBT; cover: PC

Displays / operating elements		
Display	switching status	2 x LED, yellow

Remarks	
Pack quantity	1 pcs.

Electrical connection - plug

Connector: 1 x M18



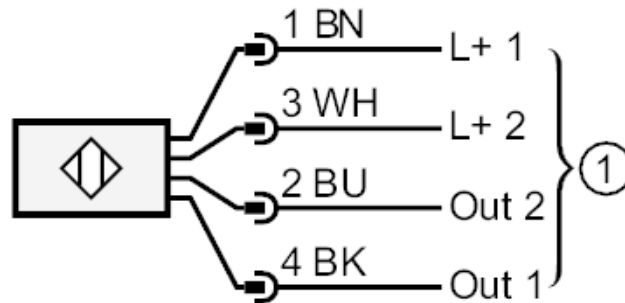
NN5013



Inductive NAMUR dual sensor for valve actuators

IND2004DN/BS-200-K/1D/1G/2G

Connection



1 = connection to NAMUR amplifiers

Core colours :

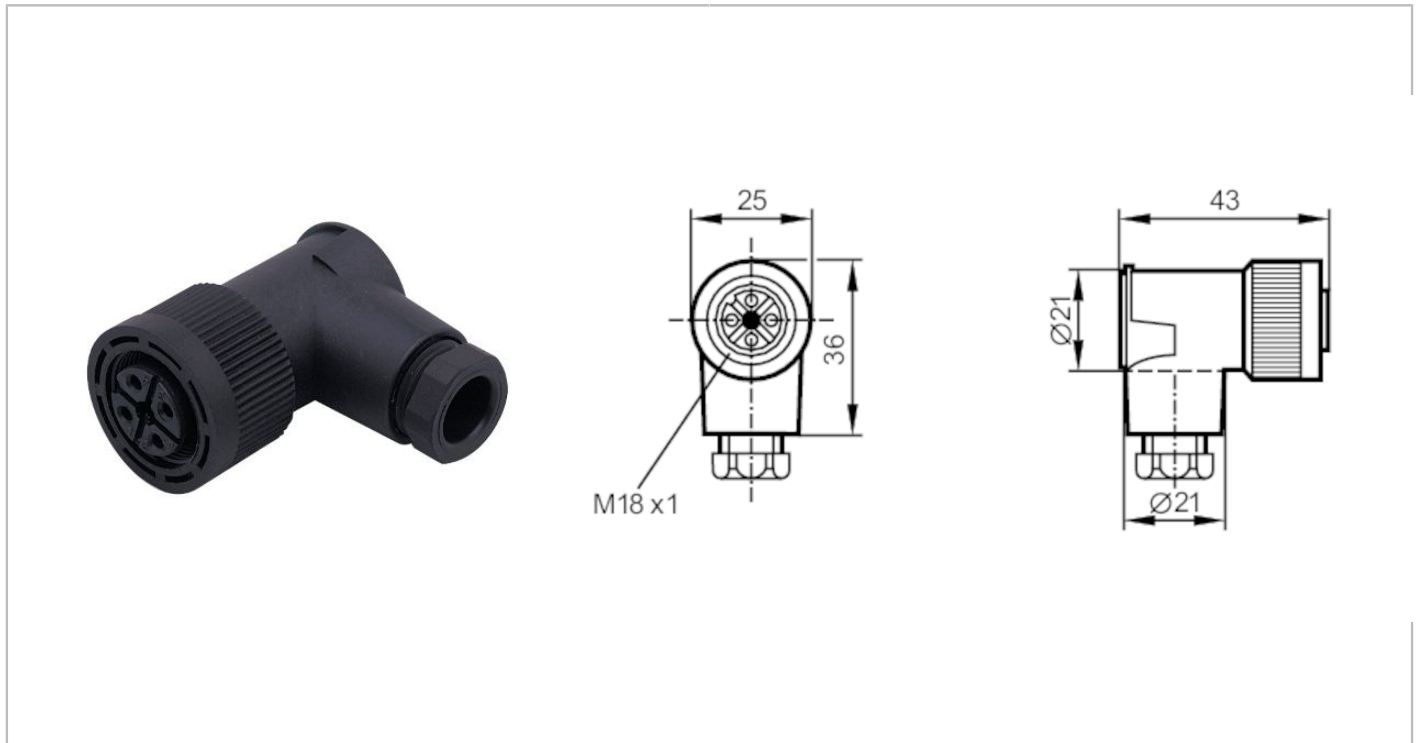
BK = black
BN = brown
BU = blue
WH = white

E1003A



Wirable socket

SDOAJ040PLNFKPG/1D/1G



Application	
Application	connection to certified intrinsically safe circuits
Operating conditions	
Ambient temperature [°C]	-20...80
Protection	IP 65
Tests / approvals	
Approval	BVS 05 ATEX E106
ATEX marking	Ex II 1G Ex ia IIC T6 Ga Ex II 1D Ex ia IIIB T85°C Da Ex II 1D Ex ia IIIC T85°C Da
Mechanical data	
Weight [g]	41.2
Dimensions [mm]	43 x 25 x 36
Materials	PBT
Material nut	PA
Remarks	
Remarks	Ta according to table "Total power of the current circuits" in the corresponding operating instructions (safety-related part ATEX) Several intrinsically safe circuits may be connected to the sockets. The sum of the voltages of one or more intrinsically safe circuits must not exceed the following value: Utotal max = 60 V (peak value)
Pack quantity	1 pcs.

E1003A



Wirable socket

SDOAJ040PLNFKPG/1D/1G

Electrical connection

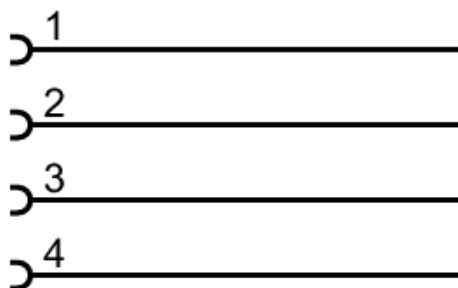
terminals: ...0.75 mm²; Cable sheath: Ø 6...8 mm

Electrical connection - socket

Connector: 1 x M18, angled; Moulded body: PBT; Locking: PA



Connection

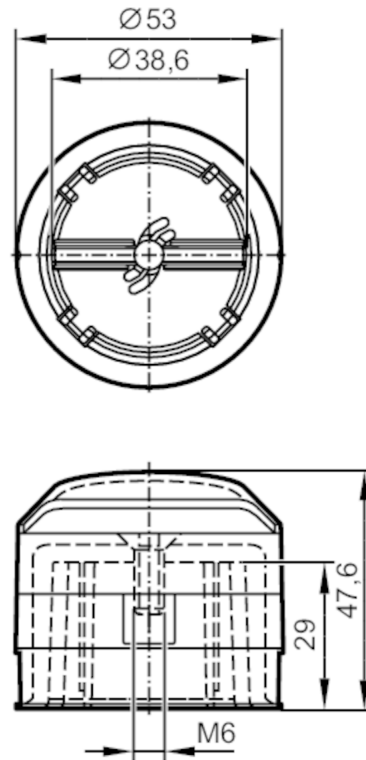


E12517



Target pucks for valve actuators

PUCK 53MM BASIC



Application

Design

for mechanical interfaces to pneumatic actuators or manually-operated valves VDI / VDE 3845, ISO 5211 / DIN 3337

Mechanical data

Weight	[g]	57.5
Target puck diameter	[mm]	53
Hole spacing	[mm]	80
Shaft height of actuator stem	[mm]	30
Material		Target puck: PA 6 black; metal parts: stainless steel
Tightening torque	[Nm]	< 1.5

Accessories

Accessories (supplied)

countersunk screws: 1 x M6 x 16 A2

Remarks

Pack quantity

1 pcs.

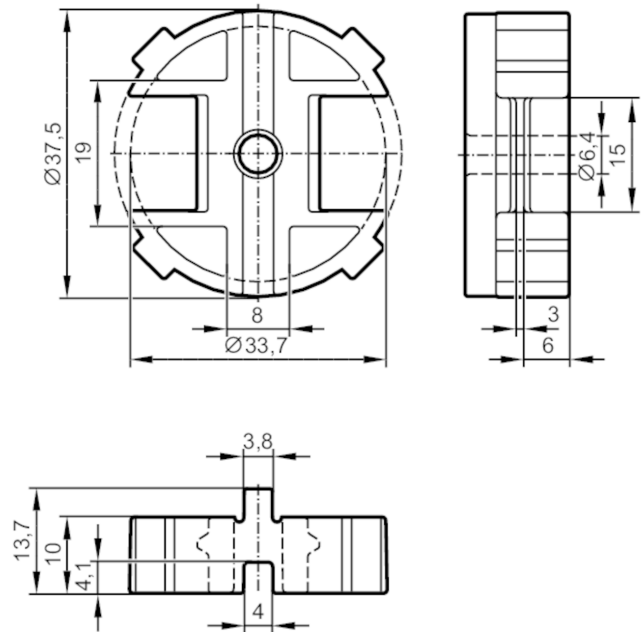
E12526



Spacer for target puck

SPACER 10MM FOR PUCK

For HKC HP-Actuator Model: HP-50 to HP-125



Application

Design

for mechanical interfaces to pneumatic actuators or manually-operated valves VDI / VDE 3845, ISO 5211 / DIN 3337

Mechanical data

Weight [g]

13.2

Material

PA 6 black; screw: stainless steel

Accessories

Accessories (supplied)

half-round head screw: 1 x M6 x 25, EN ISO 7380-2:2011

Remarks

Pack quantity

1 pcs.