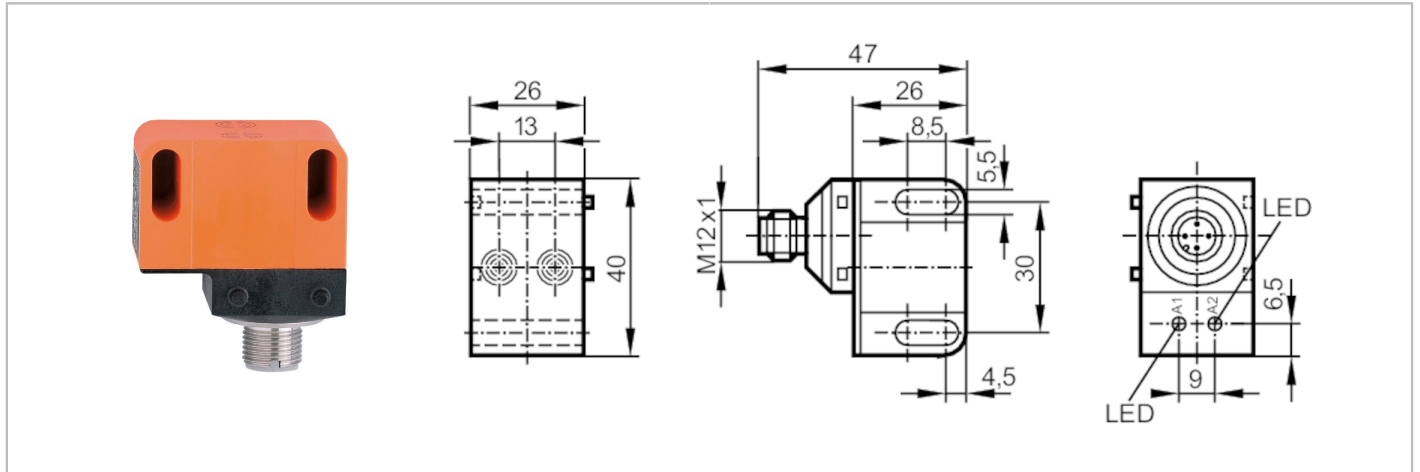


IN5331



Dual inductive sensor for valve actuators

IND2004DARKG/US-100-ZRV RT



Product characteristics		
Electrical design		PNP/NPN
Output function		2 x normally open
Sensing range	[mm]	4
Housing		rectangular
Dimensions	[mm]	40 x 26 x 47
Electrical data		
Operating voltage	[V]	10...36 DC
Protection class		II
Reverse polarity protection		yes
Outputs		
Electrical design		PNP/NPN
Output function		2 x normally open
Max. voltage drop switching output DC	[V]	4
Minimum load current	[mA]	4
Max. leakage current	[mA]	2 x 0.7
Permanent current rating of switching output DC	[mA]	250
Switching frequency DC	[Hz]	250
Short-circuit protection		yes
Type of short-circuit protection		yes (non-latching)
Overload protection		yes
Monitoring range		
Sensing range	[mm]	4
Real sensing range S_r	[mm]	$4 \pm 10\%$
Operating distance	[mm]	0...3.25

IN5331



Dual inductive sensor for valve actuators

IND2004DARKG/US-100-ZRV RT

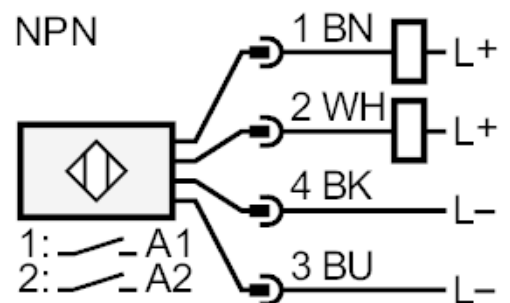
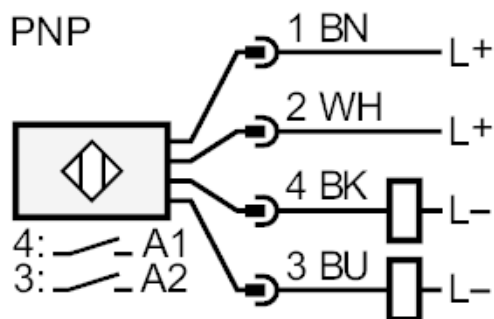
Accuracy / deviations		
Correction factor		steel: 1 / stainless steel: 0.7 / aluminum: 0.3 / copper: 0.4
Hysteresis	[% of Sr]	3...15
Switch-point drift	[% of Sr]	-10...10
Operating conditions		
Ambient temperature	[°C]	-25...80
Protection		IP 67
Tests / approvals		
EMC		EN 60947-5-2
MTTF	[years]	1229
Mechanical data		
Weight	[g]	58.5
Housing		rectangular
Mounting		non-flush mountable
Dimensions	[mm]	40 x 26 x 47
Material		housing: PBT; cover: PC; plug: brass white bronze coated
Displays / operating elements		
Display	Switching status	2 x LED, red
Remarks		
Pack quantity		1 pcs.

Electrical connection - plug

Connector: 1 x M12



Connection

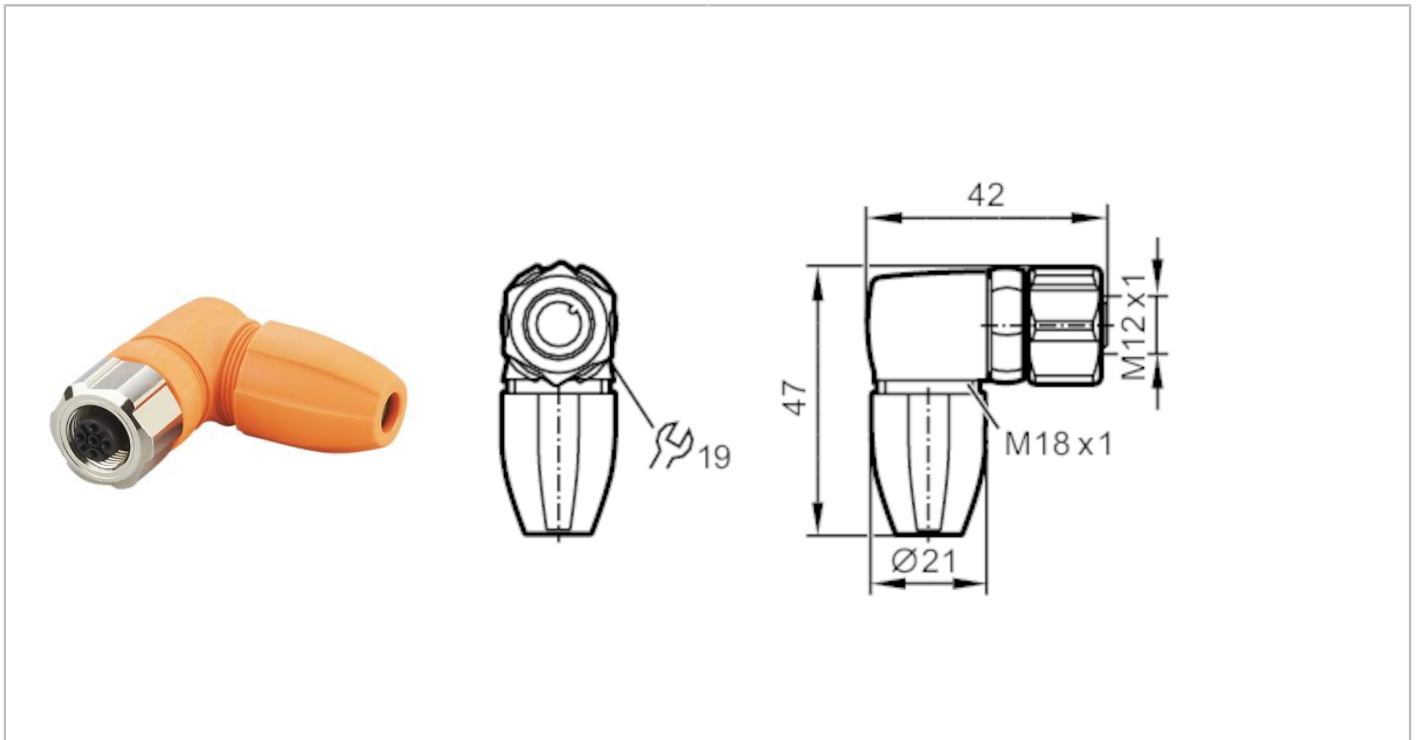


EVC811



Female wirable connectors

SDOAH040MSSFKPG



Application	
System	Free from silicone; gold-plated contacts
Free from silicone	yes
Electrical data	
Operating voltage [V]	< 250 AC / < 300 DC
Protection class	II
Max. current load total [A]	4; (...40 °C)
Operating conditions	
Ambient temperature [°C]	-25...90
Storage temperature [°C]	-25...55
Storage humidity [%]	10...100
Other climatic conditions for storage according to stated class	1K22/ DIN 60721-3-1
Protection	IP 65; IP 67; IP 68; IP 69K
Mechanical data	
Weight [g]	42.8
Molded-body material	PA 6.6
Material nut	brass, nickel-plated
Sealing material	FKM
Remarks	
Pack quantity	1 pcs.

EVC811



Female wirable connectors

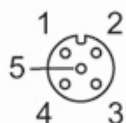
SDOAH040MSSFKPG

Electrical connection

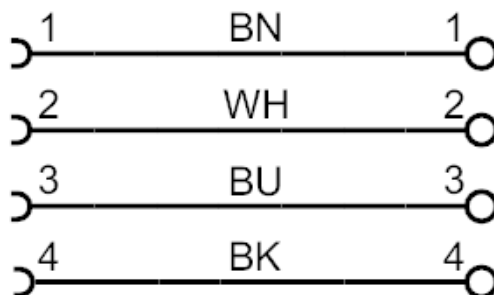
screw terminals: 0.25...1 mm²; Cable sheath: Ø 3.5...6 mm; AWG 23...17

Electrical connection - Socket

Connector: 1 x M12, angled; Moulded body: PA 6.6, orange; Locking: brass, nickel-plated; sealing: FKM; Contacts: gold-plated; Tightening torque: 0.6...1.2 Nm; Take into account the maximum value of the counterpart!



Connection



Core colors :

BN = brown
WH = white
BU = blue
BK = black

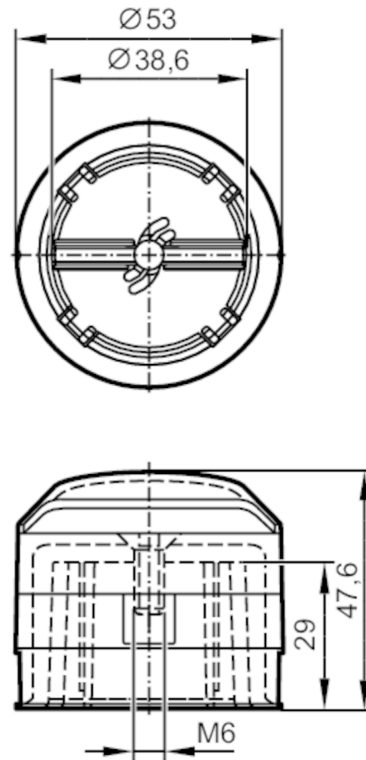
Colors to DIN EN 60947-5-2

E12517



Target pucks for valve actuators

PUCK 53MM BASIC



Application

Design for mechanical interfaces to pneumatic actuators or manually-operated valves VDI / VDE 3845, ISO 5211 / DIN 3337

Mechanical data

Weight [g]	57.5
Target puck diameter [mm]	53
Hole spacing [mm]	80
Shaft height of actuator stem [mm]	30
Material	Target puck: PA 6 black; metal parts: stainless steel
Tightening torque [Nm]	< 1.5

Accessories

Accessories (supplied) countersunk screws: 1 x M6 x 16 A2

Remarks

Pack quantity 1 pcs.

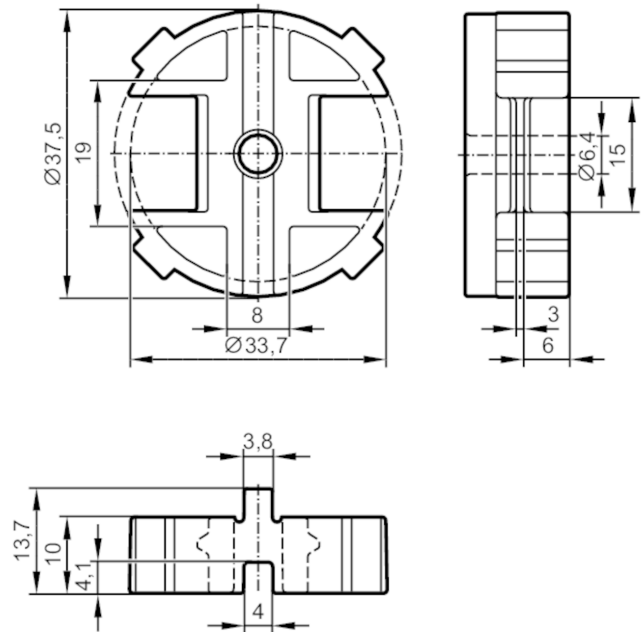
E12526



Spacer for target puck

SPACER 10MM FOR PUCK

For HKC HP-Actuator Model: HP-50 to HP-125



Application

Design

for mechanical interfaces to pneumatic actuators or manually-operated valves VDI / VDE 3845, ISO 5211 / DIN 3337

Mechanical data

Weight [g]

13.2

Material

PA 6 black; screw: stainless steel

Accessories

Accessories (supplied)

half-round head screw: 1 x M6 x 25, EN ISO 7380-2:2011

Remarks

Pack quantity

1 pcs.